



**MITSUBISHI ELECTRIC AUTOMATION (THAILAND) CO., LTD.**

Bang-Chan Industrial Estate No. 111 Moo 4, Serithai Rd., T.Kannayao, A.Kannayao, BKK 10230 Thailand  
Tel: (66) 2517-1326, (66) 2919-9873 Fax: (66) 2517-1328 URL: www.meath-co.com E-mail: support@meath.co.th

บริษัท มิทซูบิชิ อิเล็กทริก ออโตเมชัน (ประเทศไทย) จำกัด

นิติบุคคลสาขาระบบงาน เลขที่ 111 หมู่ 4 ถนนเสรีไทย แขวงคันทนายาว เขตคันทนายาว กทม. 10230

โทรศัพท์: (66) 2517-1326, (66) 2919-9873 โทรสาร: (66) 2517-1328 URL: www.meath-co.com E-mail: support@meath.co.th

**MOTOR SPECIFICATION SHEET**

MODEL : SCL-QR 3HP 4P

USED FOR : STANDARD

DESCRIPTION	DETAIL				
PHASE	1				
TYPE	CAPACITOR START AND RUN				
MODEL NAME	SCL-QR				
RATED OUTPUT, HP (kW)	3 (2.2)				
POLE	4				
CODE	MEATH CODE : 1M001D-400220QRES1				
OUTLINE DRAWING NO.	ONM14O532-*				
RATED VOLTAGE (V)	220	230	220		
RATED FREQUENCY (Hz)	50	50	60		
RATED CURRENT (A)	15.8	15.8	13.6		
RATED SPEED (min <sup>-1</sup> )	1440	1445	1730		
RATED EFFICIENCY (%)	79.7	79.7	83.0		
EFFICIENCY CLASS	IE1				
THERMAL CLASS	130(B)				
RATING	S1 (CONTINUOUS)				
ENCLOSURE CONSTRUCTION	DRIP-PROOF				
DEGREES OF PROTECTION	IP22				
METHOD OF COOLING	IC01				
FRAME NO.	112M				
WEIGHT (kg)	32.8				
STANDARD	JEC-2137-2000				
EFFICIENCY RULE	IEC 60034-30-1				
INSTALLATION	FOOT MOUNTED				
ROTATION	CCW (VIEWED FROM SHAFT END)				
BEARING	LOAD SIDE : 6207ZZ				
	OPPOSITE SIDE : 6206ZZ				
BEARING GREASE	UREA GREASE				
VIBRATION	V20				
CIRCUMSTANCE CONDITION	AMBIENT TEMPERATURE : -20 ~ +40°C				
	AMBIENT HUMIDITY : 85%RH OR LESS				
	ABOVE SEA LEVEL : 1000m OR LESS				
	ENVIRONMENT : NO BURSTING/EROSIVE GAS OR VAPOR				
COLOR	MUNSELL N1.5 (BLACK)				
TERMINAL BOX	NO. OF LEAD WIRES : 4				
	SOURCE CONNECTION : LEAD WIRES				
SHAFT SWING	≤0.03mm				
MATERIAL	FRAME : STEEL PLATE				
	BRACKET : ALUMINIUM				
	SHAFT : CARBON STEEL				
	STATOR CORE : ELECTRICAL STEEL				
	WIRE : ENAMELLED COPPER MAGNET WIRE				
	ROTOR CORE : ELECTRICAL STEEL				
	CONDUCTOR : ALUMINIUM				
	TERMINAL BOX : STEEL PLATE				
	PAINTING : POLYURETHANE RESIN				
PRODUCTION COUNTRY	THAILAND				

Specifications subject to change without notice.

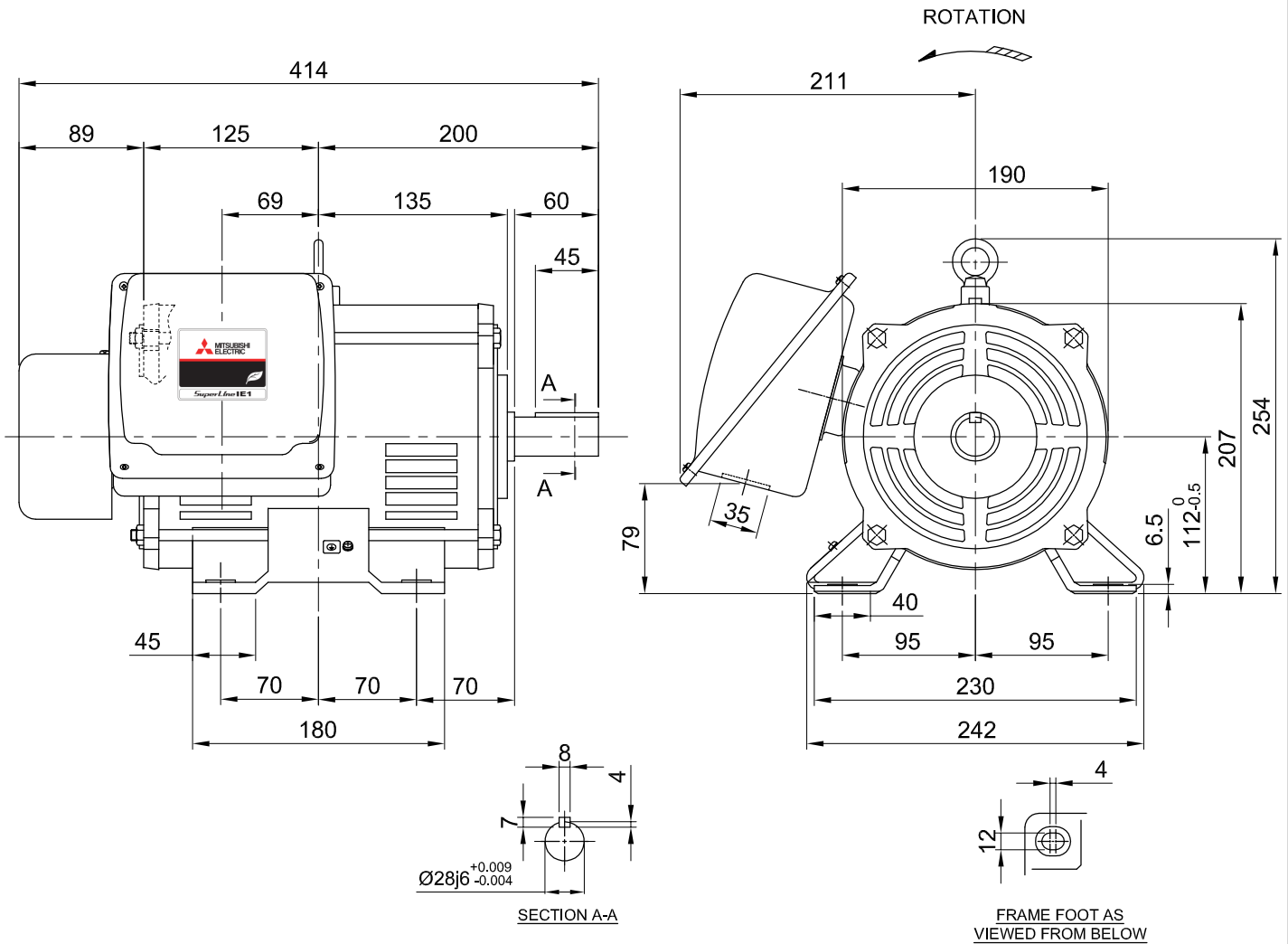
<b>SPECIFICATION SHEET NO.</b>				
SS-M-1159-A				

# MODEL SCL-QR SINGLE PHASE INDUCTION MOTOR OUTLINE DRAWING

CAPACITOR START AND RUN TYPE  
DEGREES OF PROTECTION IP22

STARTING CAPACITOR	180 $\mu$ F 330 V
RUNNING CAPACITOR	22.5 $\mu$ F 520 V

CUSTOMER \_\_\_\_\_  
USER \_\_\_\_\_  
FOR \_\_\_\_\_  
CUSTOMER'S ORDER NO. \_\_\_\_\_  
QUANTITY \_\_\_\_\_  
MFG. ORDER NO. \_\_\_\_\_



FRAME SIZE	RATING	TH. CLASS	AMB. TEMP.	BEARINGS		COLOR	DIRECTION OF ROTATION	NO. OF LEAD WIRES
				LOAD SIDE	OPP. SIDE			
112M	S1	130(B)	40°C	6207ZZ	6206ZZ	BLACK (MUNSELL N1.5)	CCW	4

OUTPUT		POLE	VOLT	HERTZ	AMP	RPM	IE CODE - RATED EFF.	REMARK
HP	kW							
3	2.2	4	220/230	50	15.8/15.8	1440/1445	IE1- 79.7% / IE1- 79.7%	
			220	60	13.6	1730	IE1- 83.0%	

MITSUBISHI ELECTRIC AUTOMATION (THAILAND) CO.,LTD.

		OUTLINE DRAWING NO.	REV.
	DIMENSION IN mm.	ONM140532	*
SCALE : NTS.			